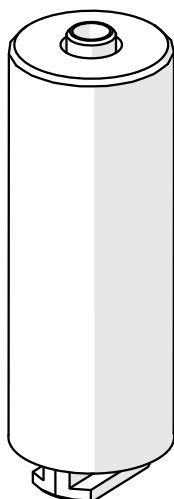
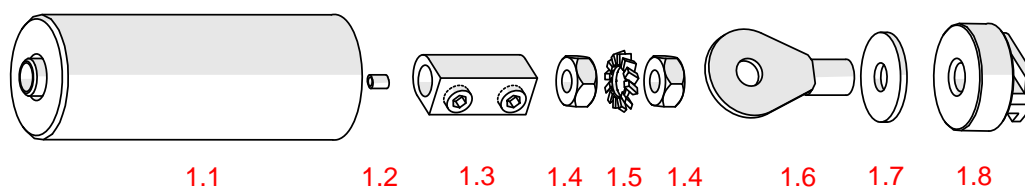


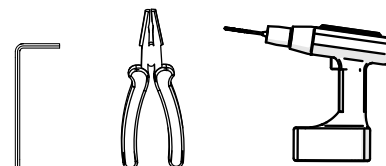
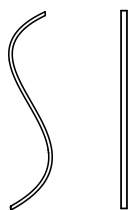
Fastener PUSZ-ZM





1x

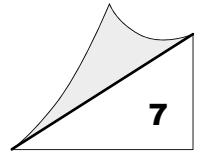
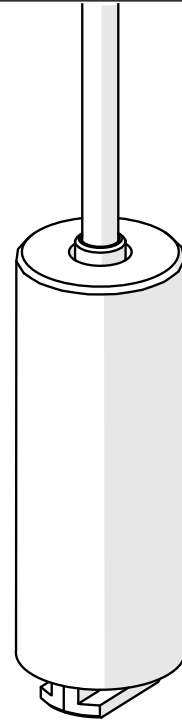
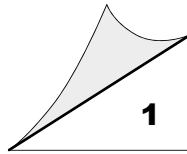
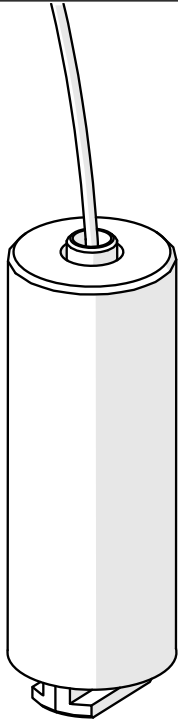
DOES NOT INCLUDE



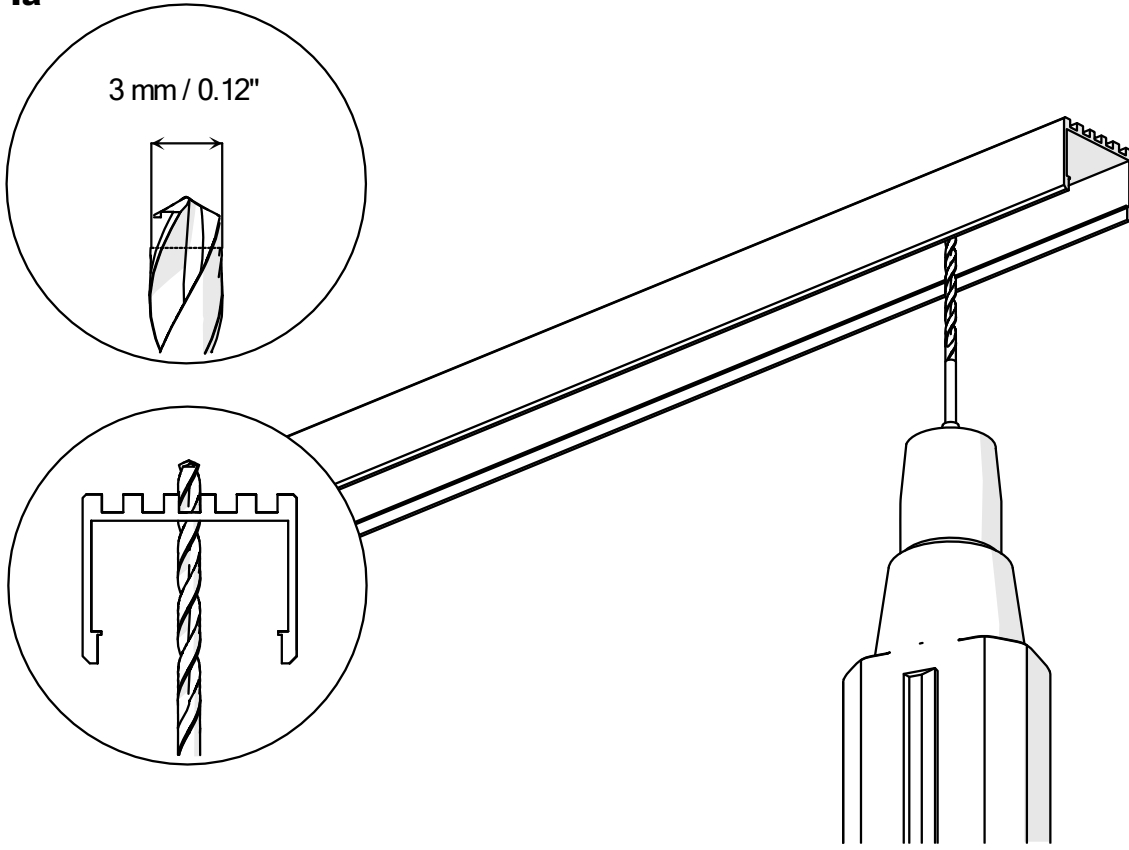
Fastener PUSZ-ZM (ref. C20010)

- 1.1 PUSZ head
- 1.2 Sleeve for the cable clamp
- 1.3 Conductive terminal block with screws
- 1.4 Nut M3
- 1.5 Locking washer M3
- 1.6 Power connector dia. 3
- 1.7 Pad 3,2
- 1.8 PUSZ-ZM hook

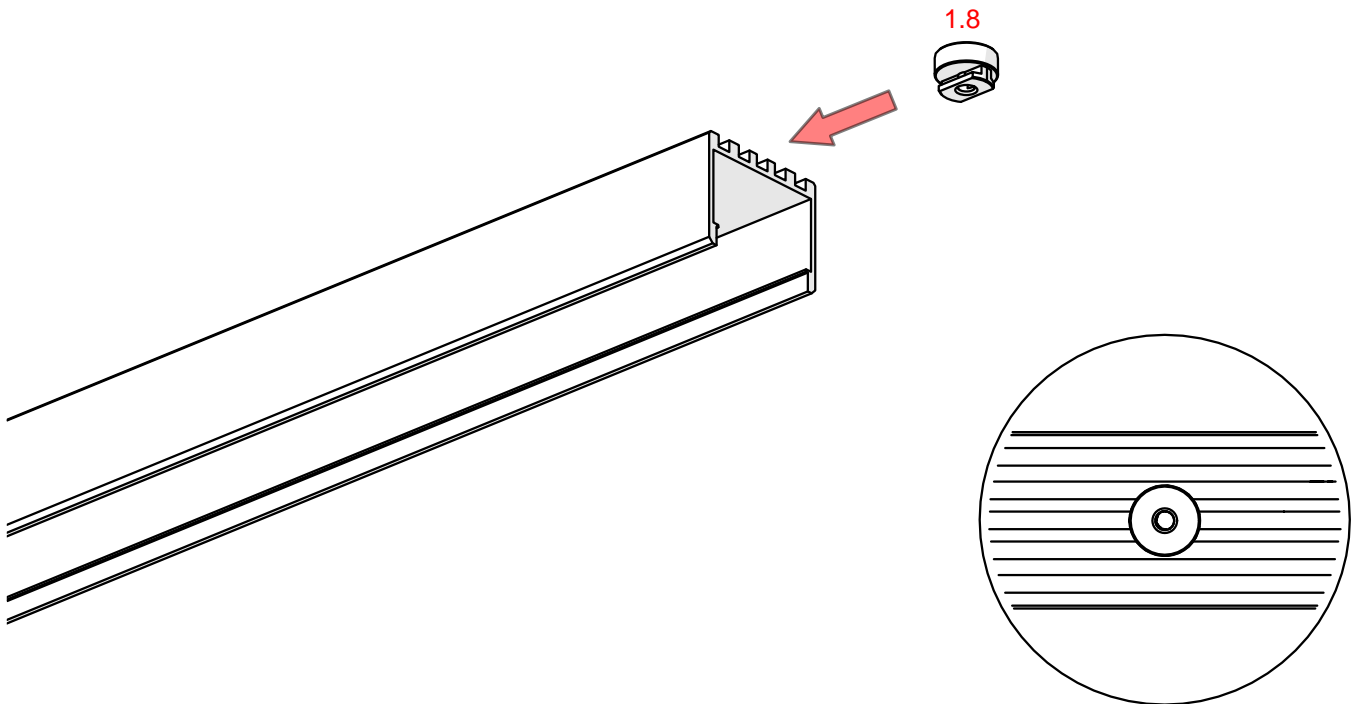
IMPORTANT: Not all possible mounting procedures are presented here. More mounting procedures and related accessories can be found at www.KlusDesign.eu. Drawings in these instructions are simplified and only approximate the actual shapes.



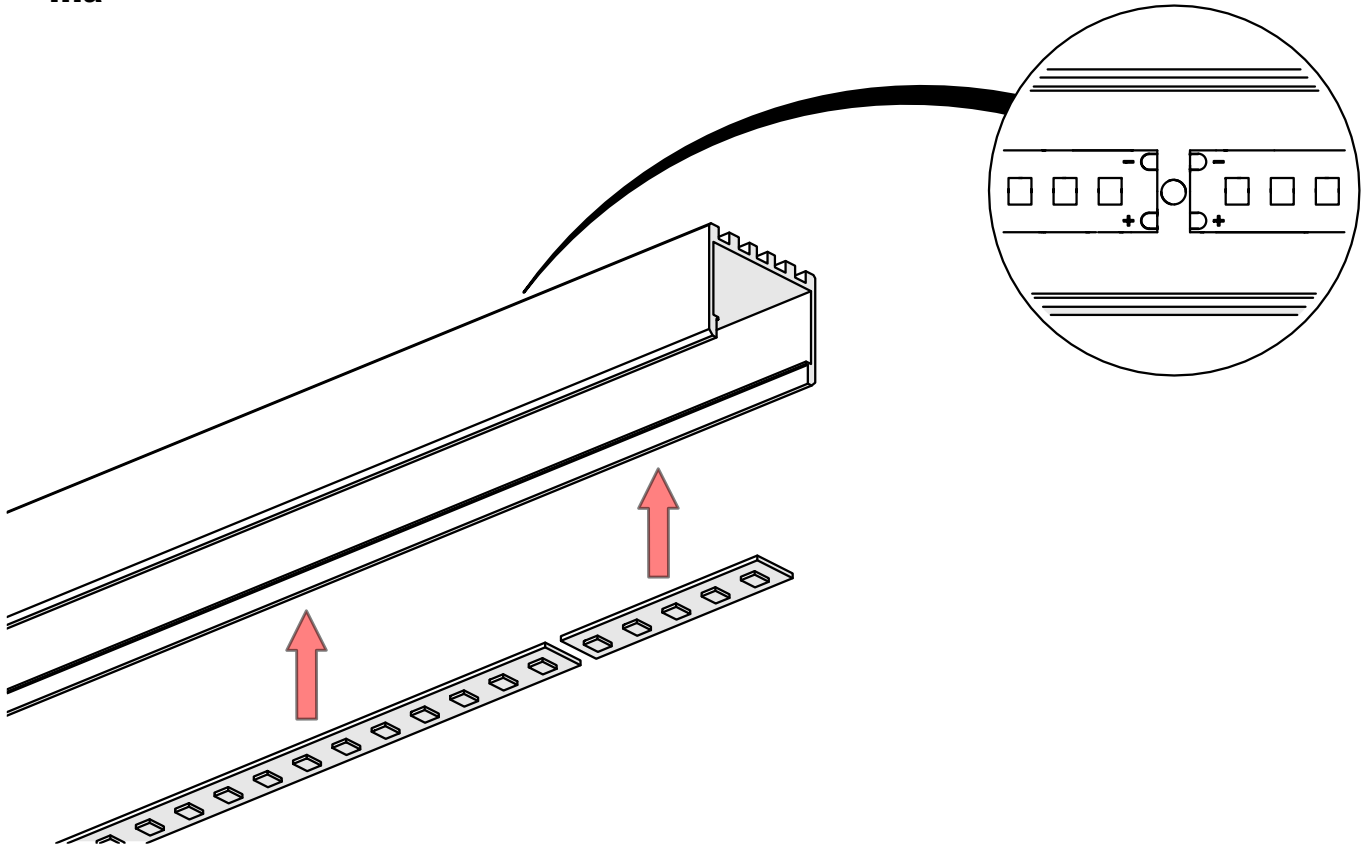
Ia



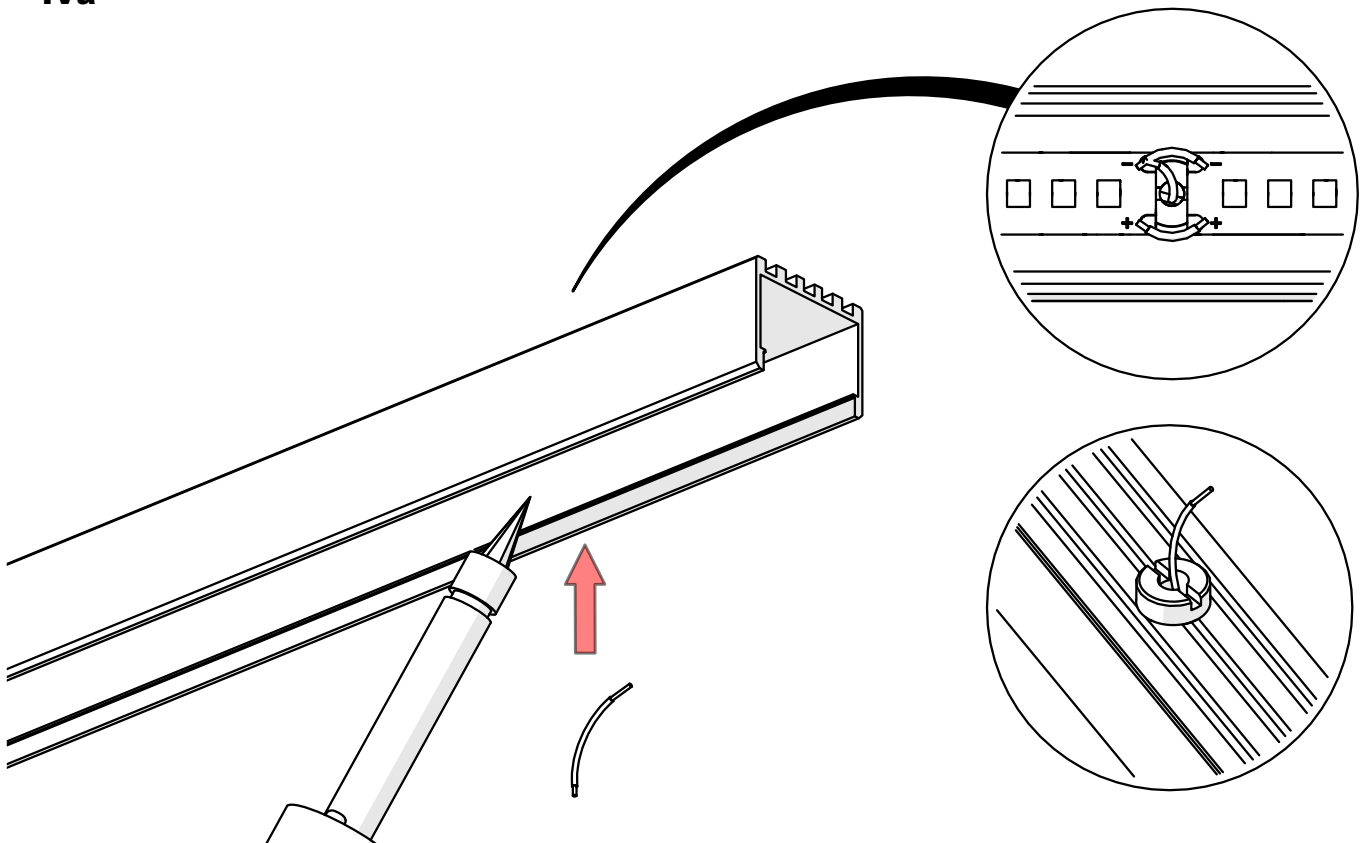
Ila



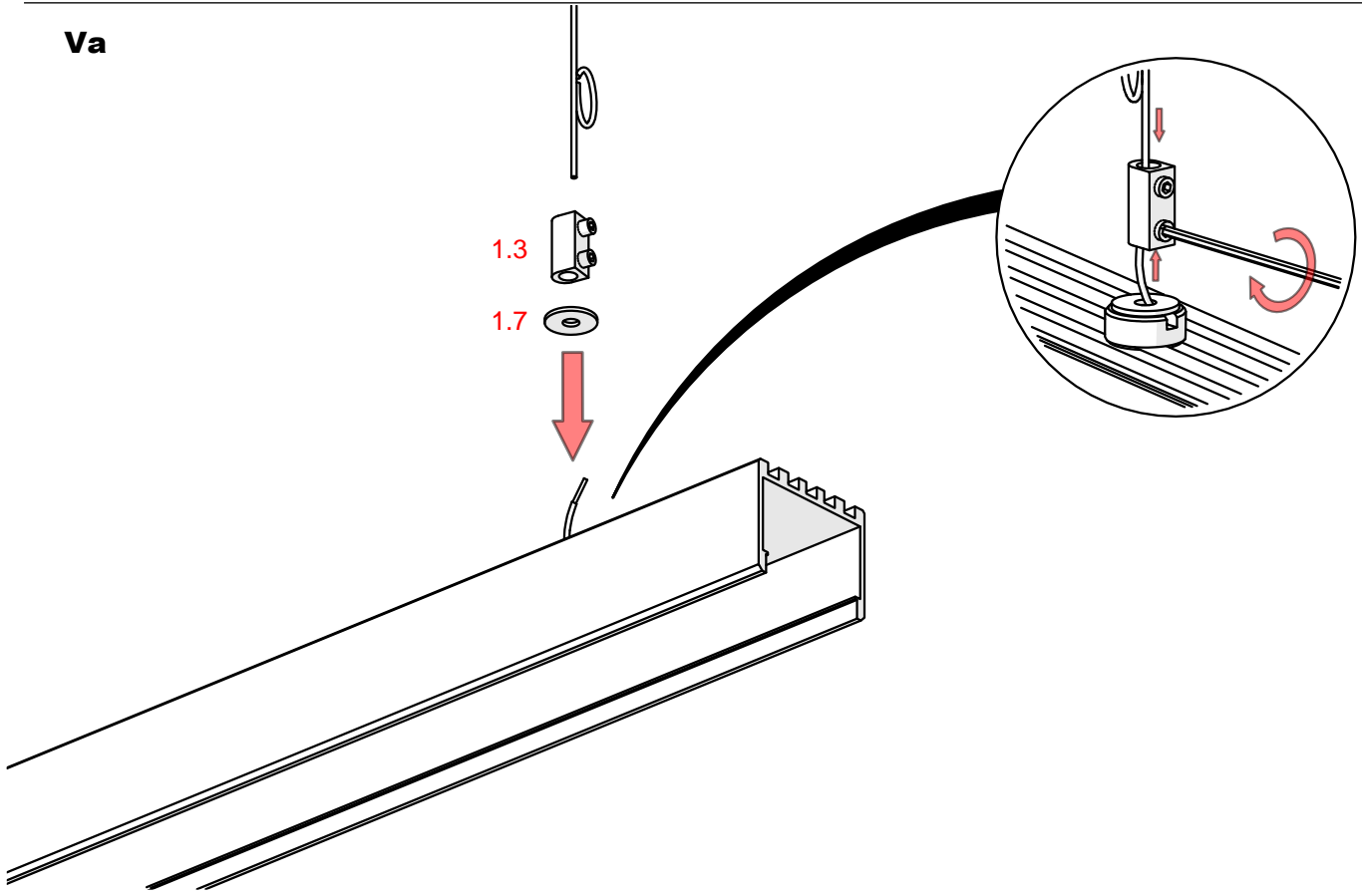
IIIa



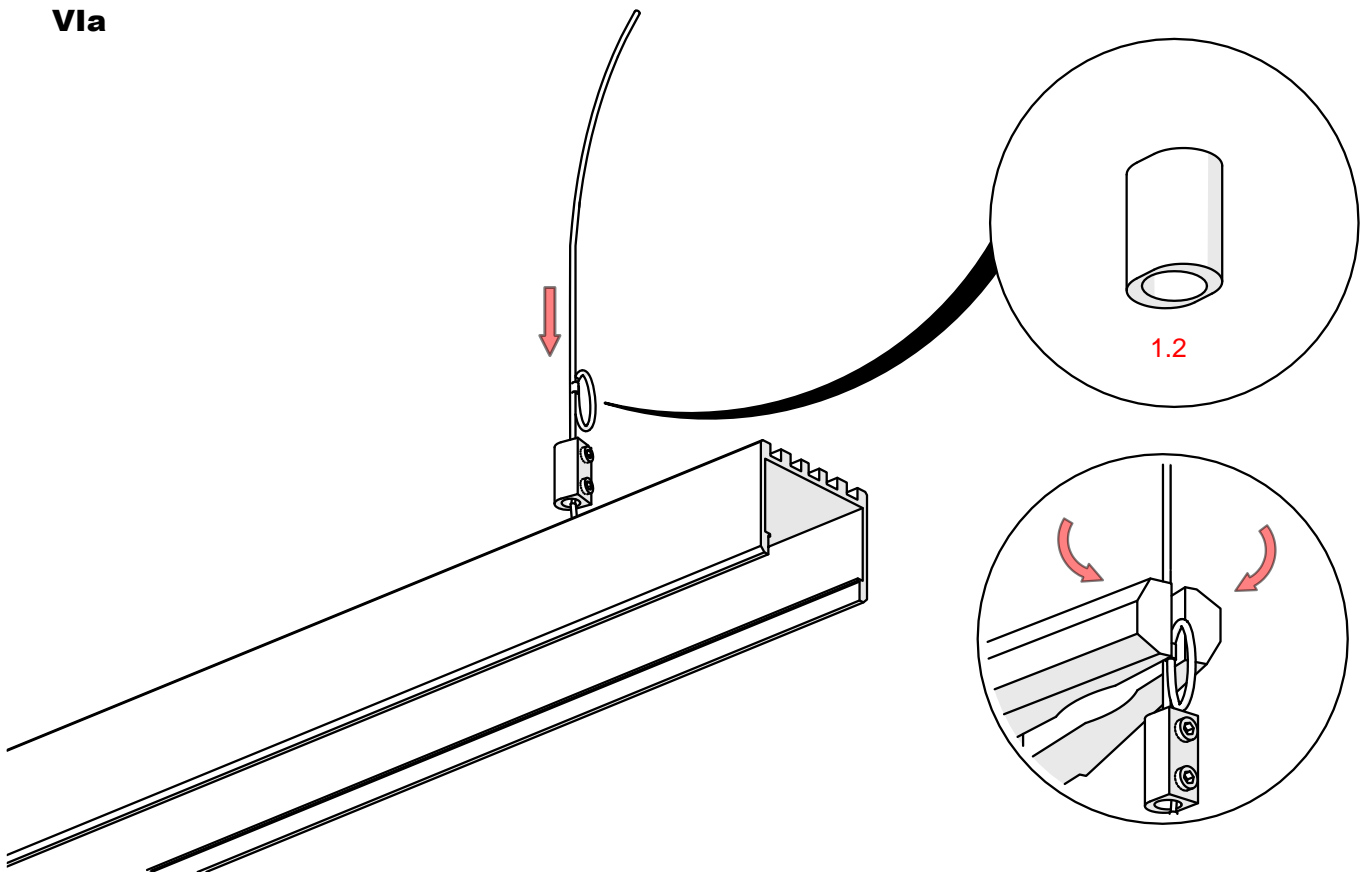
IVa



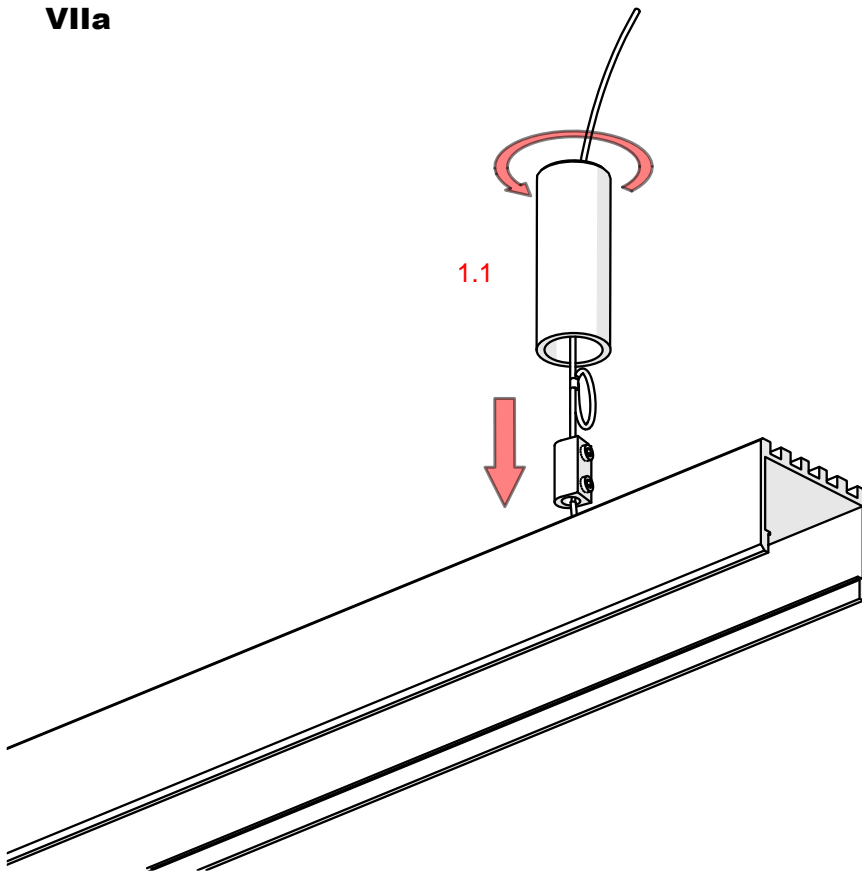
Va



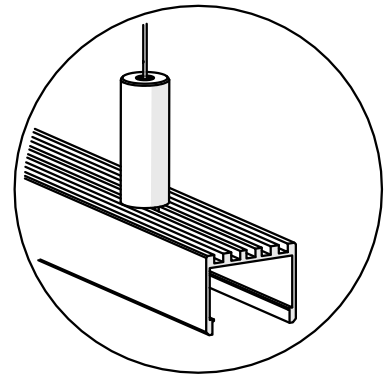
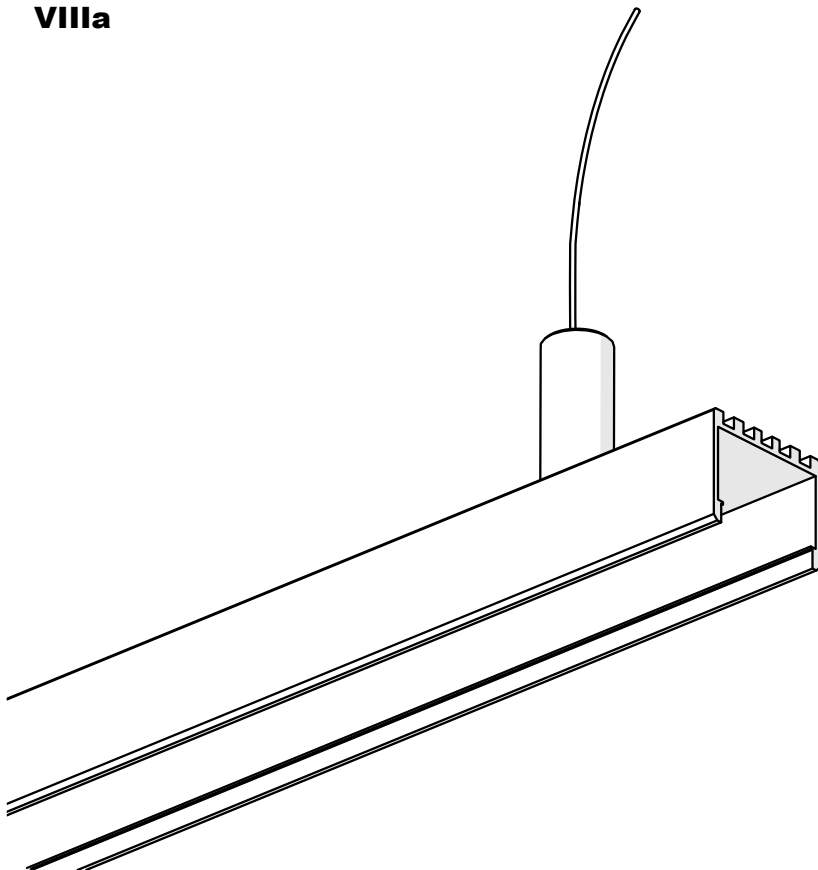
Vla



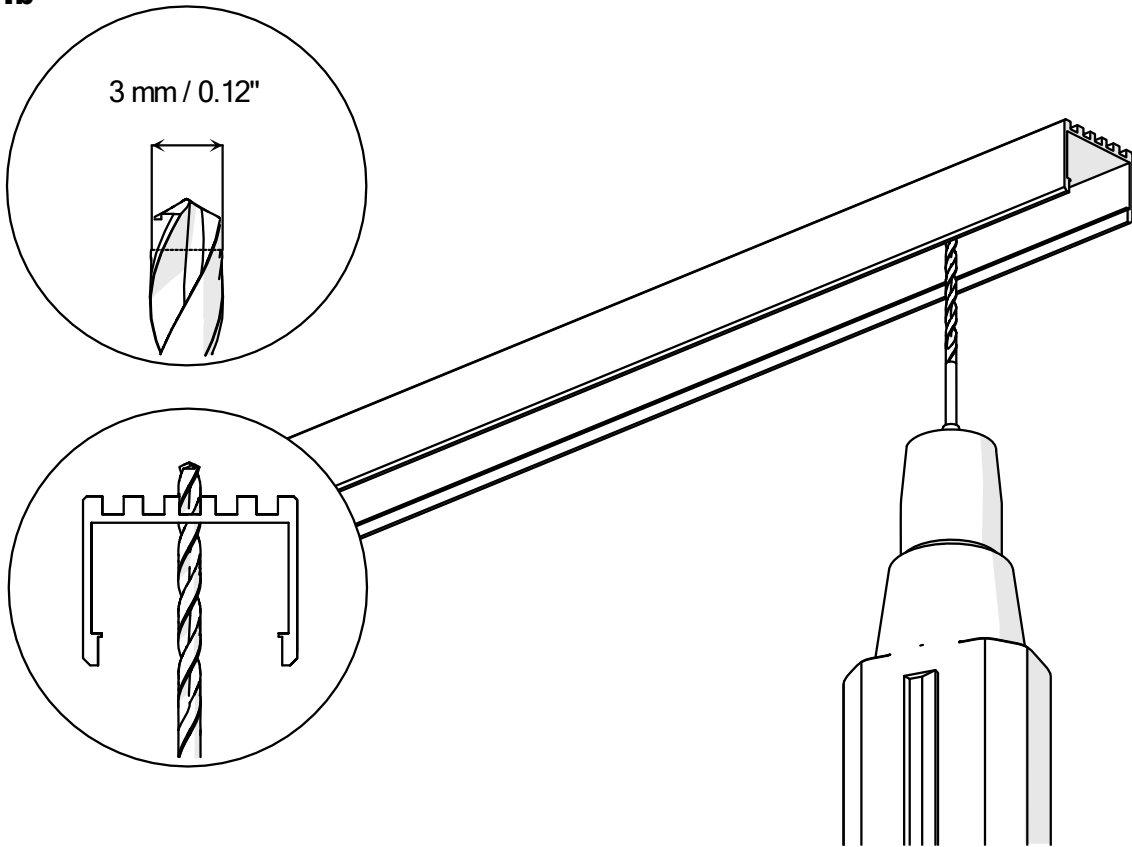
VIIa



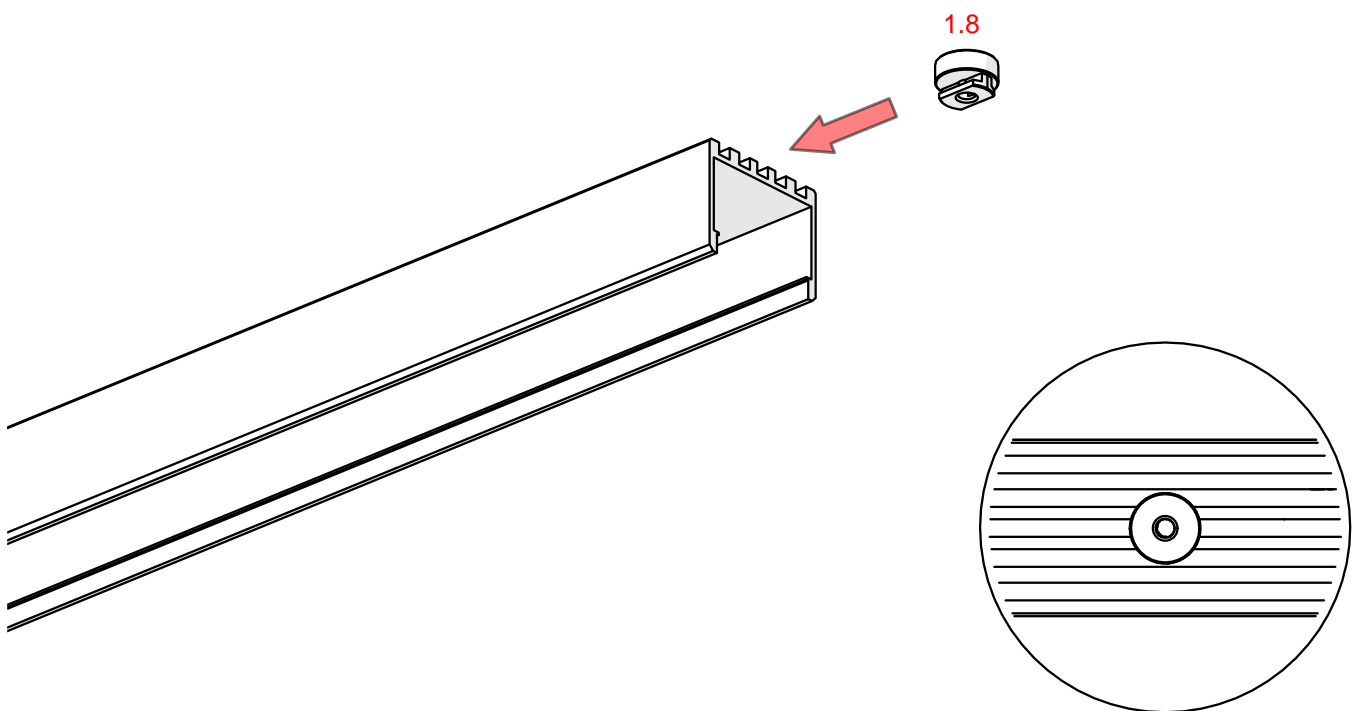
VIIIa



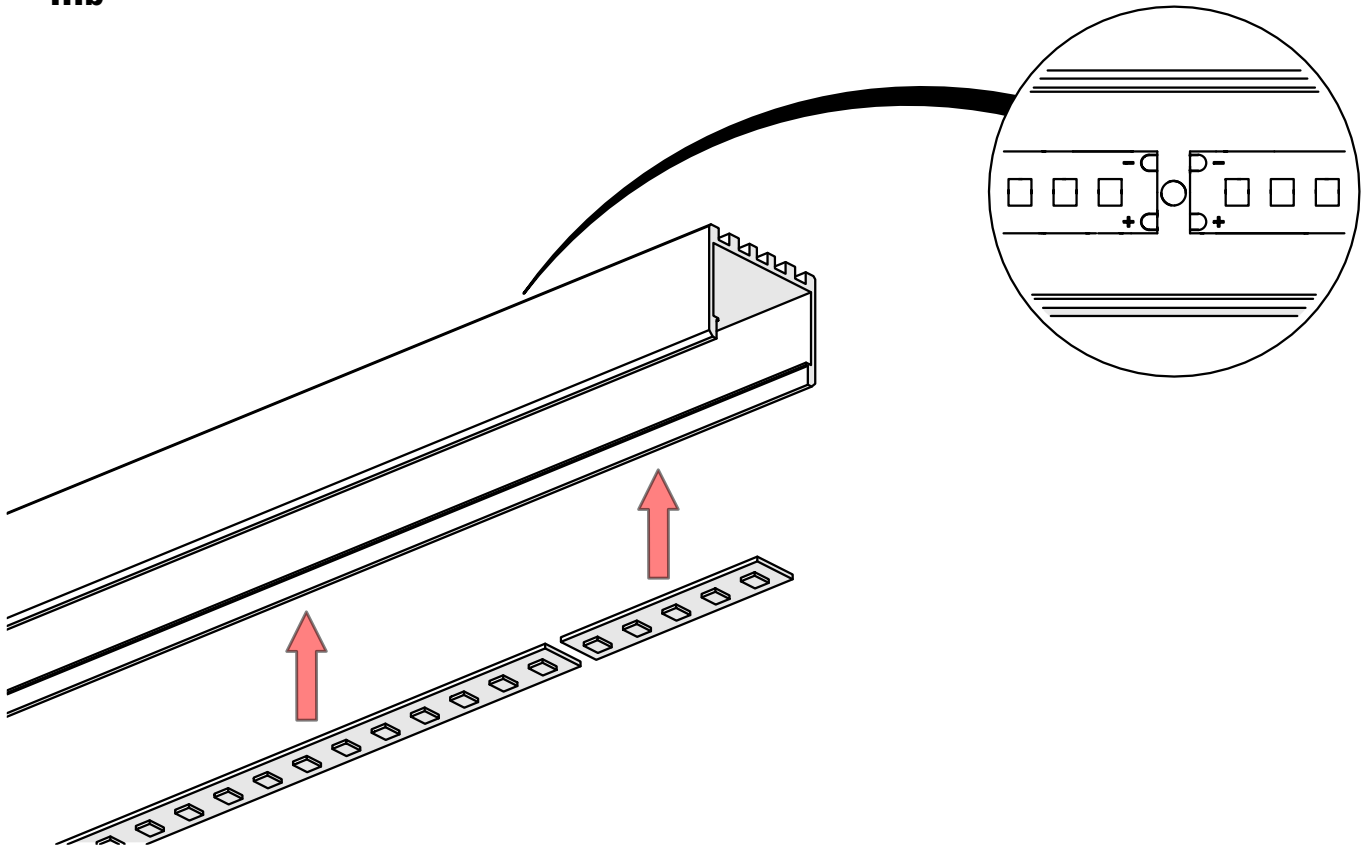
Ib



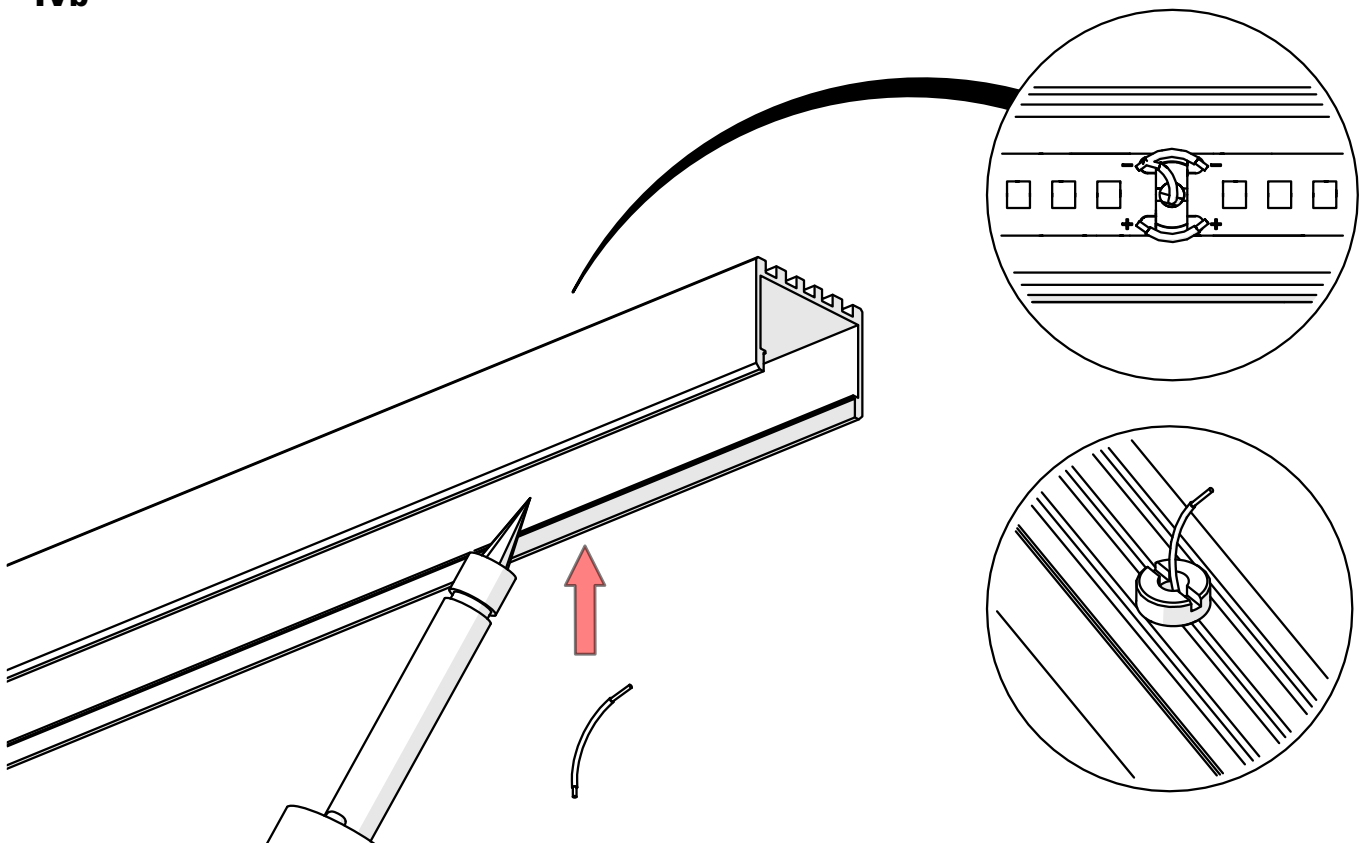
IIb



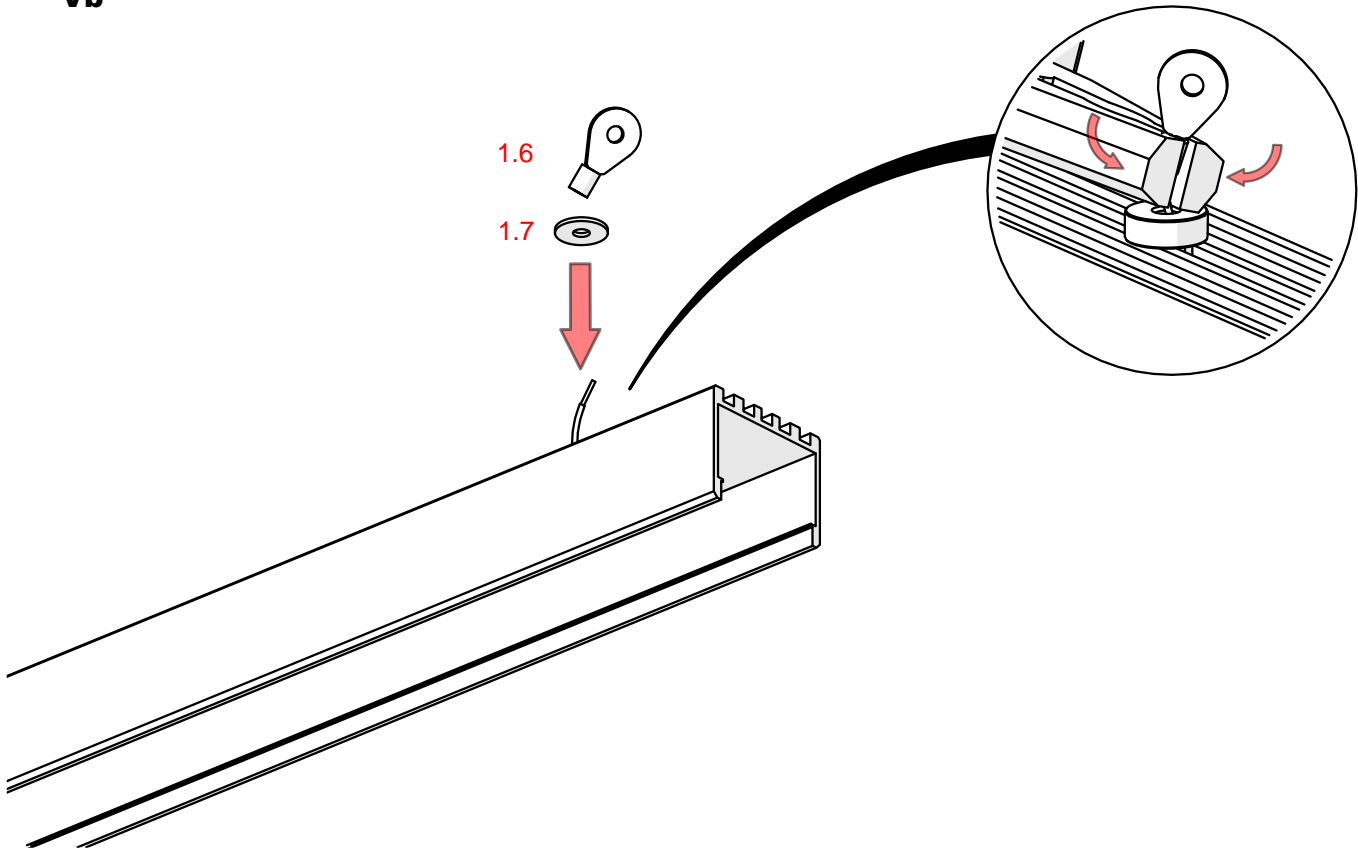
IIIb



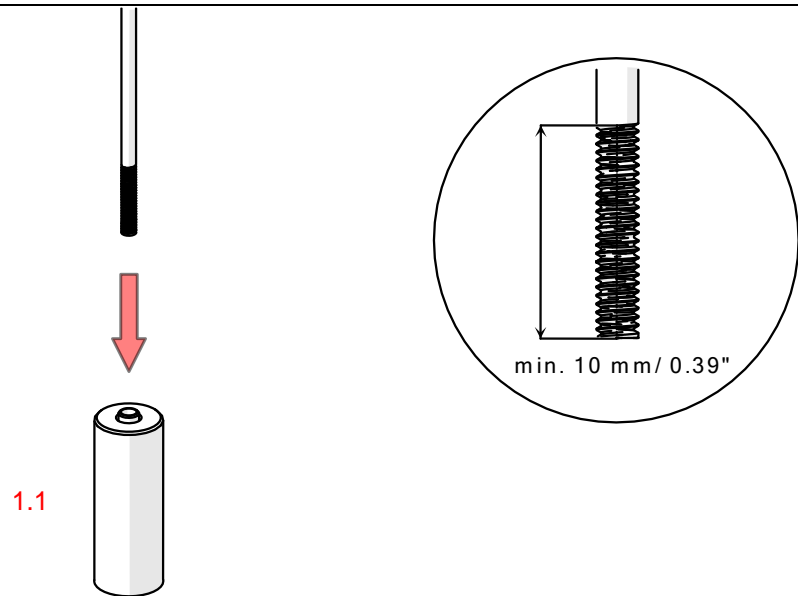
IVb



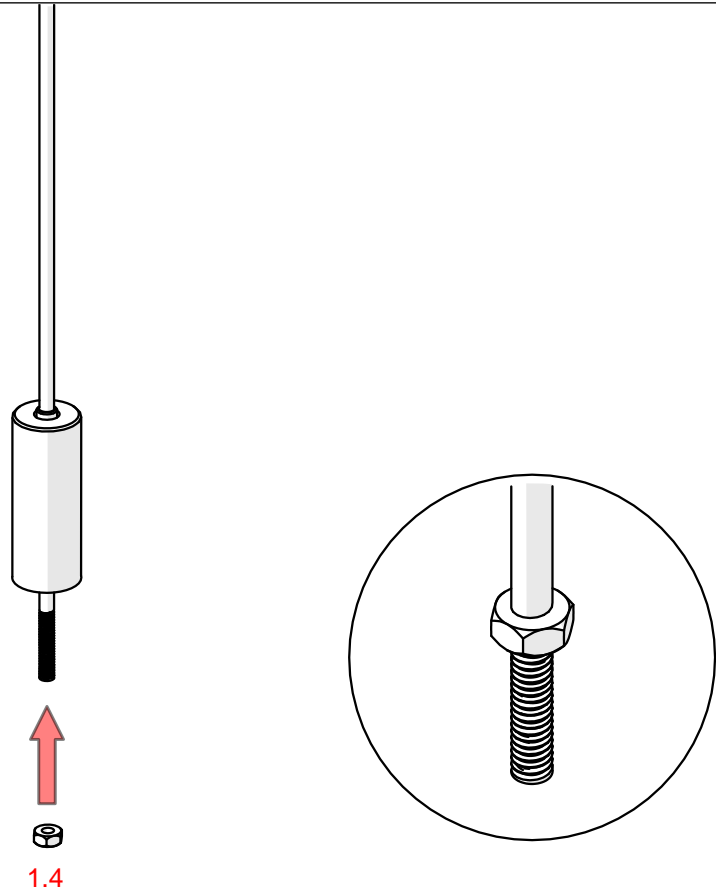
Vb



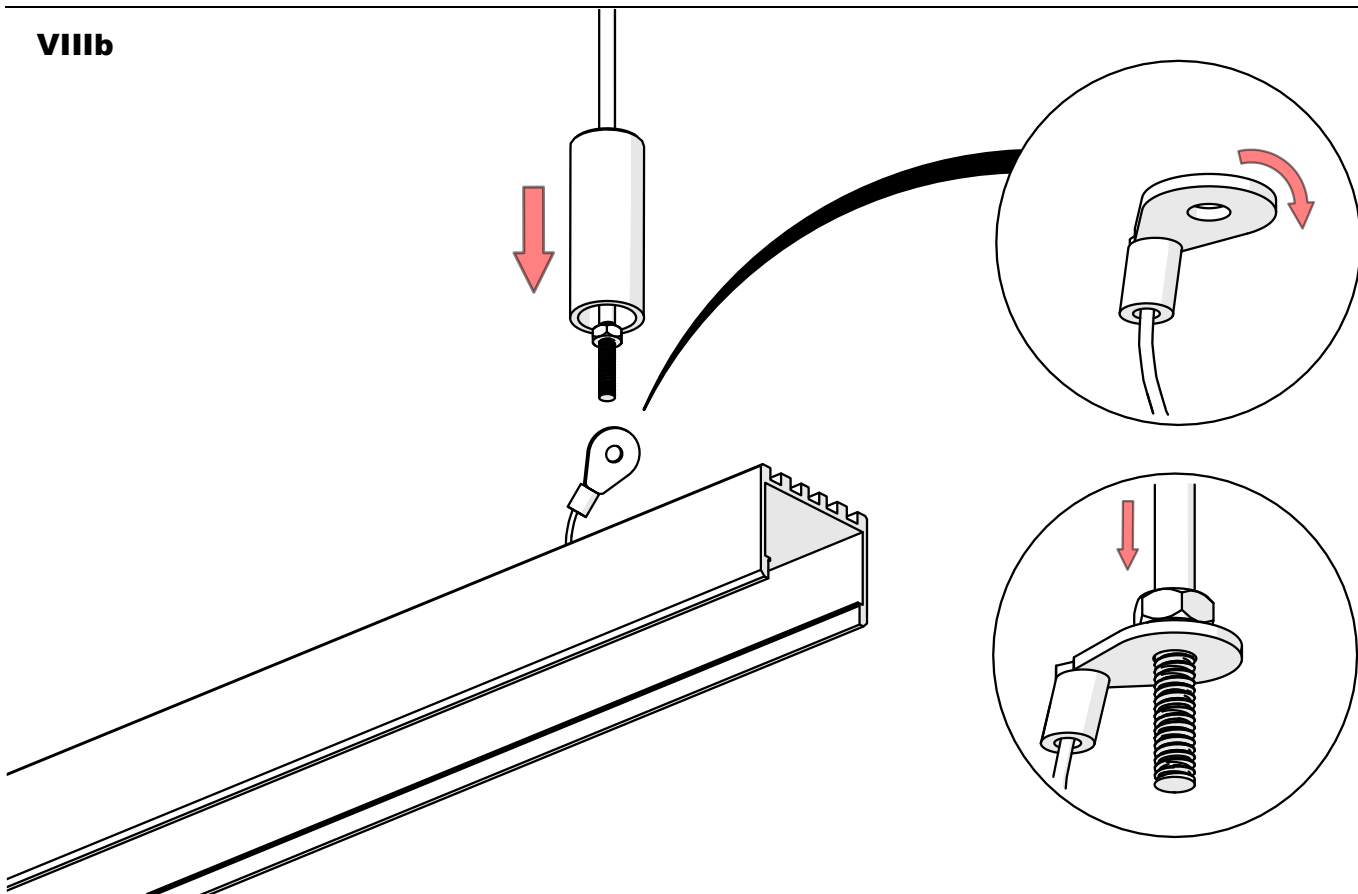
Vlb



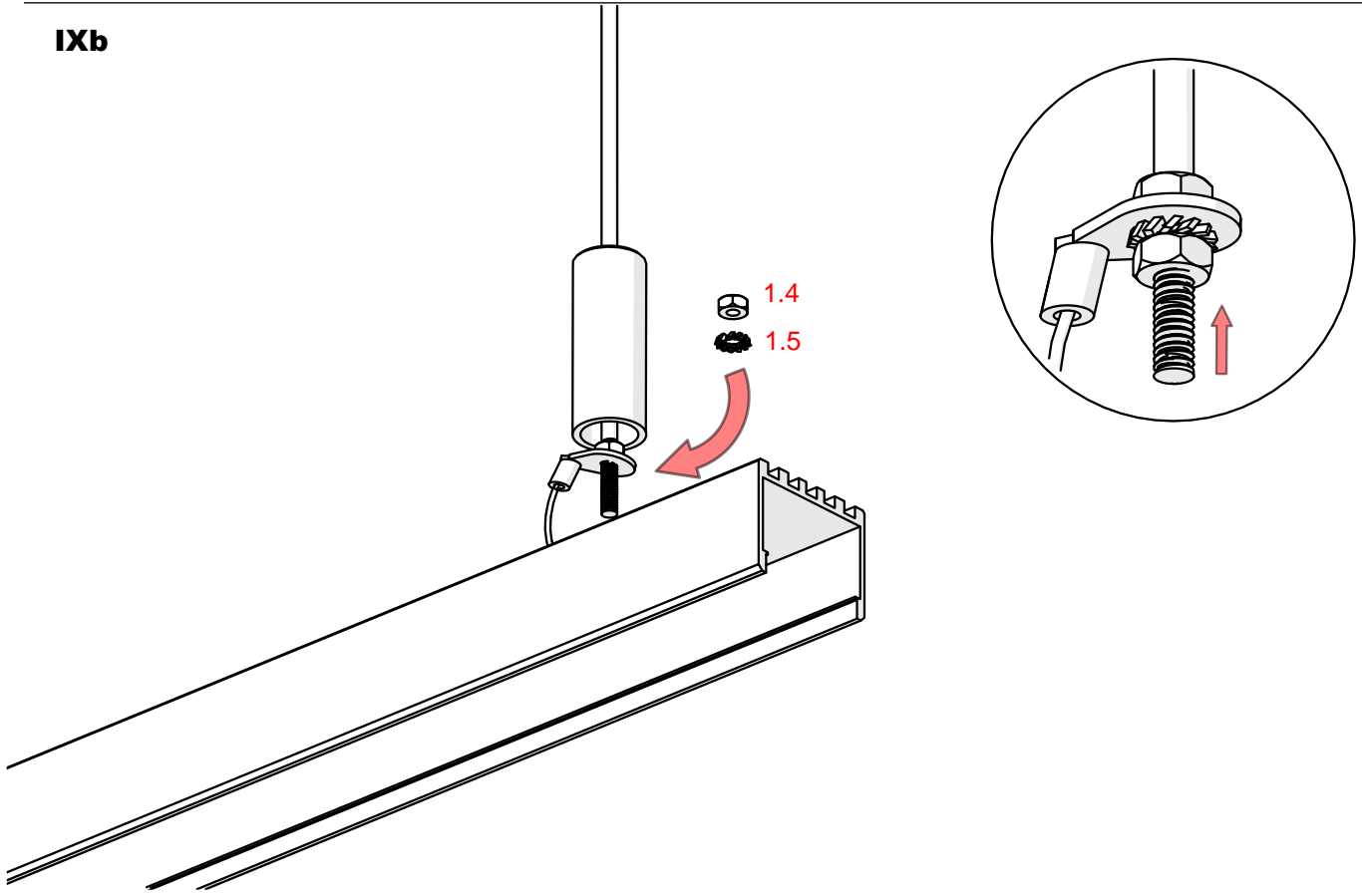
VIIb



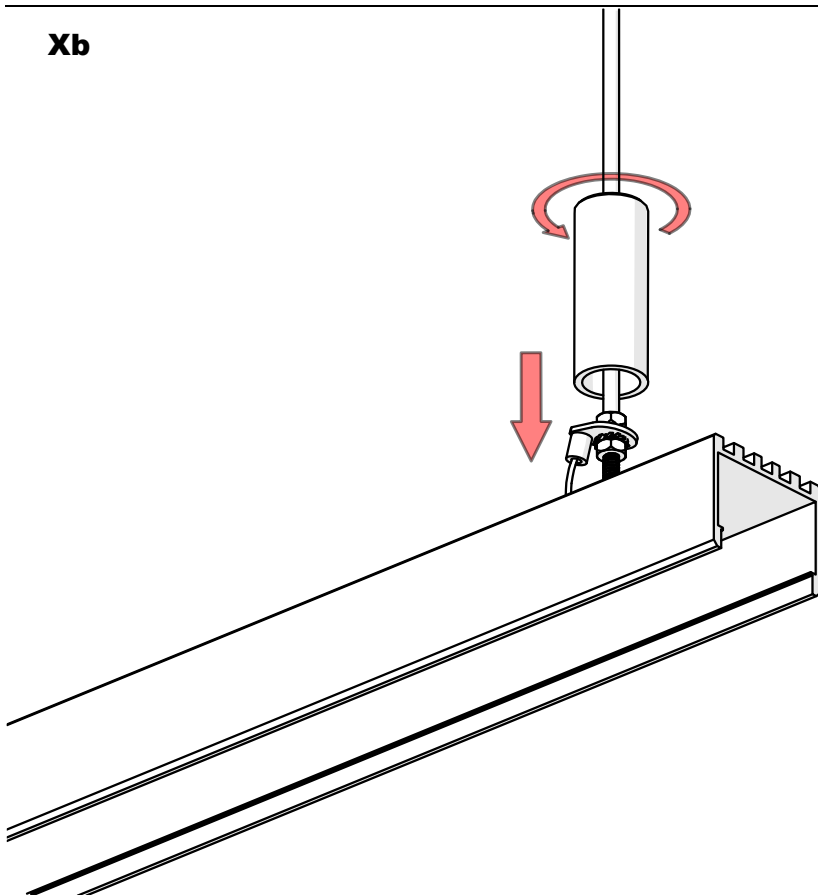
VIIIb



IXb



Xb



XIb

